

TECHNICAL DATA

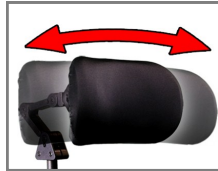
INCLUDES:

Comfort Plus Headrest Pad
1" Mounting Ring

CP250

Comfort Plus Headrest Pad

MULTI-AXIS ADJUSTABILITY



HMO475-TR

HMO475 Triangle

TWB485-1

Headrest Mounting Hardware



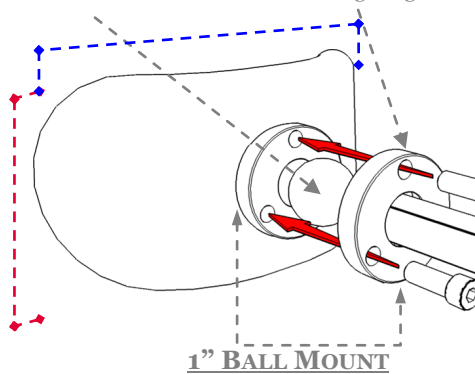
HMO475-VB
Vertical Bar

DIMENSIONS & MOUNTING

1" BALL

CP-RING

1" Mounting Ring



	Size	Width	Height
CP350	Niño Small	6"	4"
CP450	Small	8"	6"
CP250	Medium	10"	6"
CP150	Large	14"	6"
CP550	Extra Large	19"	6"

MOUNTING:

The Comfort Plus Headrest attaches to a 1" ball mount via a CP-Ring.* When you have the mounting ring in place, screw it into the adjacent holes on the headrest.

*(The CPN350 uses a 17mm ball mount & SDRING)

PRODUCT DESCRIPTION

The Comfort Plus occipital pad is constructed of layered foam on a coated metal shell. This plush head support was designed to maximize comfort, have sleek elegant visuals, and be very durable. Comes standard with black Dartex (soft and durable 2-way stretch material) that is removable and washable.

TECHNICAL DATA

- 5/32 tool for socket-head and flat-head screws on mounting ring and mounting hardware.
- Includes: ball mounting ring and headrest pad.
- Headrest attaches to: HMO400, HMO475, TWB480-1, TWB480-FDM, and TWB485-1.

SELLING POINTS

- The ideal curved design to provide excellent support and comfort for the head.
- Compatibility with all of our standard mounting hardware.
- Ball mount allows for angle and rotational adjustment.

BUILD YOUR COMFORT PLUS

STEP 1: PAD SIZE

The Comfort Plus with several types of foam and covers. According to the individual's needs, determine the necessary pad size, whether foam or gel would be beneficial, and cover material. (See Headrest Pads on back)

FOAM/GEL

Open Cell Foam
Closed Cell Foam
Action Gel

CP150 — CP250 — CPN350 — CP450 — CP550 — CP950

COVERS

Dartex
Reverse Dartex
Vinyl
Sheep Skin
Neoprene

STEP 2: SWING-AWAYS (CPS9 SERIES)

Facial lateral Swing-Aways for pads, switches, speaker sites and chin control devices can be added to the Comfort Plus. (See Swing-Away Options on back)

CPS9-B — CPS9DL-DB

HARDWARE

HMO400
HMO475
TWB480
TWB480-FDM
TWB485

STEP 3: HARDWARE

The final step is deciding what type of hardware to use for mounting the Comfort Plus to your chair. (See Hardware Options on back)

More information available at www.stealthproducts.com

HARDWARE OPTIONS



HMO400

The HMO400 is our straight mounting hardware can be adjusted fore and aft.



HMO475

The HMO475 allows fore and aft adjustment as well as rotational adjustment



TWB480-1

The TWB480 has a rotating triangle and links that can be adjusted to any position.



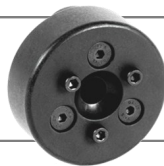
TWB485-1

The TWB485 combines the links of the TWB480 and curved bar of the HMO475.



TWB480-FDM

An easy transfer flip down mount and links make Stealth's TWB480-FDM.



TD101

The Tone Deflector is design to absorb quick impact and aver slanted angle loading.

HEADREST PADS



CPN350

Nino Small 6"
Comfort Plus Headrest



CP450

Small 8"
Comfort Plus Headrest



CP250

Medium 10"
Comfort Plus Headrest



CP150

Large 14"
Comfort Plus Headrest



CP550

Extra Large 19"
Comfort Plus Headrest



TCP905

Custom
Comfort Plus Headrest

SWING-AWAY OPTIONS



CPS9-B-HW

Stealth Product's Swing-Away hardware offers a sleek, unobtrusive design while featuring an easy, one-hand release mechanism for swinging pads and switches back a full 100°.



CPS9DL-DB

The dual swing away design allows for more attachment sites for facial pads or switches for those clients who need more real estate or extra support.



EGG SWITCHES

Egg switches provide the user with more interfaces options.



MC210

Tash Mini Cup Switches provide user interface in a compact package.



900

Facial Pad
(4.5" x 2")



F8675

Stealth's figure 8 bracket adds real estate for an extra attachment.



910

Facial Spot Pad
(3" x 2")



JOYSTICK MOUNTS

SM600: Mini Proportional mount
SM610: 1812 mount
SM620: Tash Mini mount
SM630: ASL MEC mount



920

Long Facial pad
(6" x 2")



SP625

Sip & Puff mount



930

Long Niño Facial Pad
(6" x 1.5")



CN600

Swing-away flex Micro-Lite switch.